

Floor Lamp

INSTRUCTION MANUAL

Safety Warnings

This product is only suitable for connection to a 240v~50Hz supply and is for indoor use only.

This Floor Lamp is protected by a 3 amp fuse in the mains plug.

If the mains cable becomes damaged it must only be replaced by a technically competent, qualified person.

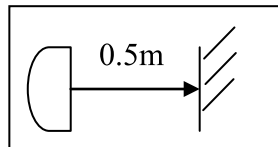
If the mains plug needs to be replaced, use a plug approved to BS1363 with 3 Amp fuse and wire it up according to the diagram shown over.

The shade and lamp become very hot in use. Switch off and allow 10 minutes to cool before replacing bulb, adjusting or cleaning (using a dry cloth only – do not use liquid or abrasive cleaners).

This product contains glass parts – be careful during handling and maintenance to avoid breakage. Always use the correct wattage and shape light bulbs according to the product label. Do not exceed the maximum wattages stated or this will overheat the product and may cause damage.

Under no circumstances must the fitting be covered with any material.

The “Minimum Distance” Labels on the product – typical format shown below – indicates that lighted objects should not be placed within the distance stipulated on the label. The example label below indicates that lighted objects should not be placed within 0.5m (50cm) of the spotlight to prevent them overheating.



If the glass covers are broken or cracked then they must be replaced immediately, please consult your retailer. This is represented by the symbol;-



Ensure the Floor Lamp is placed on a stable, solid surface and under no circumstances must it be covered with any material.

This floor lamp contains heavy parts and care must be taken to avoid trapping fingers or dropping parts during the handling process.

This Floor Lamp is not suitable for persons under 14 years of age.

Keep small parts out of reach of children.

If any modification is made it will invalidate the warranty and may render the product unsafe.

Before you start

Please read these instructions carefully before fitting your new light and retain for reference.

Check the packaging and make sure that you have all the required parts.

Familiarise yourself with all the parts before you start the assembly.

Follow each assembly step in order to prevent incorrect assembly.

Ensure that the product is fully assembled as illustrated before use.

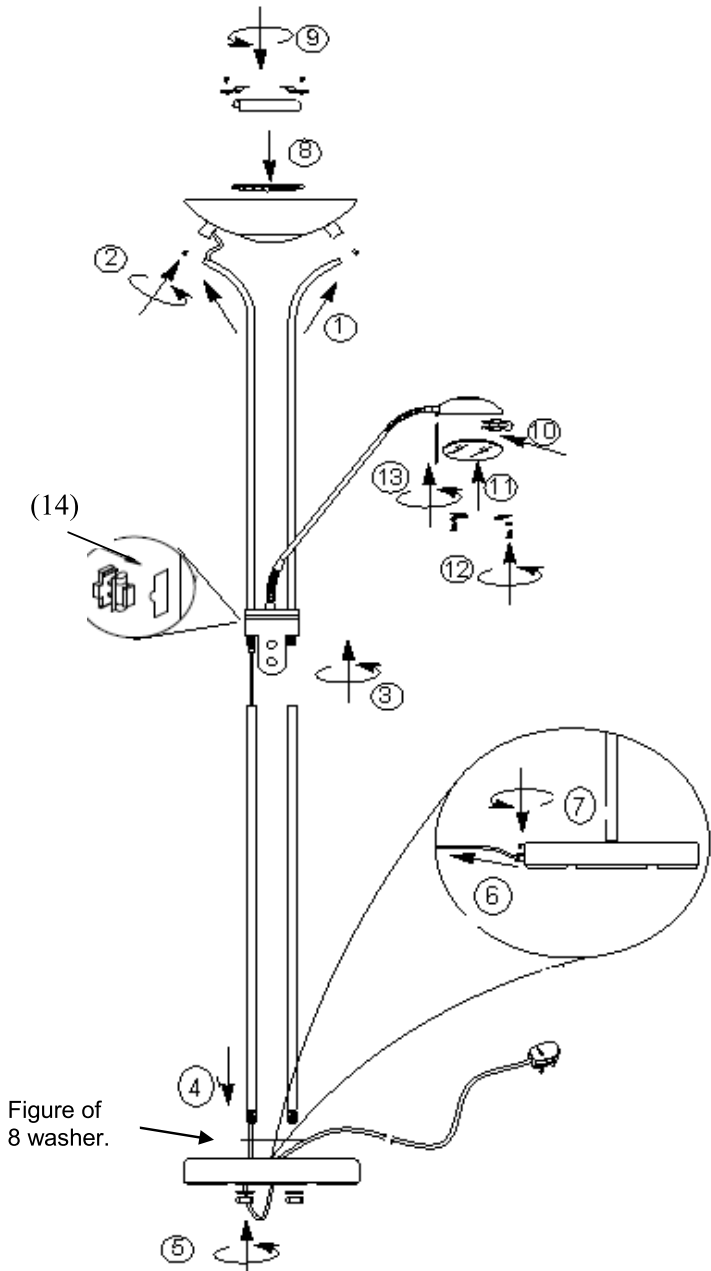
Make sure all screws / nuts etc are fully tightened before use.

1 x Floor lamp – with integral dimmer switches and accessible fuse.

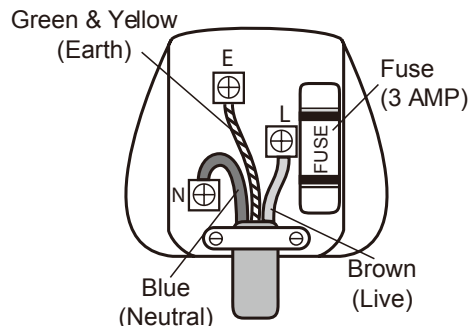
Spanner
Allen Key

The following tools may be required:

Selection of cross and flat head screwdrivers.



Plug wiring diagram.
This is a Class I,
earthed product



This Floor Lamp only to be used with a **Max. 230W R7s** and **Max. 33W G9 Capsule**.

NOTE: When inserting the halogen lamps do not touch the glass envelopes with bare fingers as this will shorten the life of the lamps – use a tissue or soft cloth.



- A. Remove any plastic 'top hat' protective packing pieces from around cables exiting from the ends of stems.
- B. Fit the curved arms (1) into the positions shown below the bowl. Take care that you do not trap or damage the internal cable. Secure with grub screws (2).
- C. Screw the stems into the dimmer switch box (3). Take care not to twist the cable in the stem.
- D. Fit the figure of 8 washer over the lower sections (4), then pass the stems through the base.
- E. Fit the washers and nuts (5) to the lower threaded sections of the stems and tighten with the spanner provided.
- F. Pull the excess cable (6) through the cable exit point on the side of the base and secure with the grub screw (7).
- G. Install the R7s (linear halogen) (8) into the top bowl by springing it into place between the lamp holder contacts. **NOTE. Make sure that both ends of the bulb are touching each of the contacts in the lamp holder.**
- H. Fit the safety glass shield (9) over the linear halogen and secure with the 2 retainers.
- I. Fit the G9 bulb (10) into the adjustable lamp head.
- J. Fit the glass safety shield (11) and secure with the retaining turnbuckles (12).
- K. Fit the adjusting handle (13) to its position on the lamp head.
- L. Plug in and turn on using the dimmer switches on the stem assembly.

If your Floor Lamp will not illuminate, please check the bulbs then the fuse in the compartment behind the dimmer (14), the 3 amp fuse in the plug and ultimately check the relevant fuse in your Fuse Box.

If unsuccessful please consult your Retailer.



- EN Scan QR code for multi-language
- FR Scannez le code QR pour plusieurs langues
- ES Escanee el código QR para varios idiomas
- PL Zeskanuj kod QR dla wielu języków
- DE Scannen Sie den QR-Code nach mehreren Sprachen
- IT Scansiona il codice QR per multilingua