


Floor Light

INSTRUCTION MANUAL

Safety Warnings

- This product is only suitable for connection to a 220-240V~50Hz supply in accordance with current IEE wiring regulations. It is for indoor use only, and not suitable for a bathroom location.
- This fitting is a Class III, low voltage product  It use a plug-in transformer. Under no circumstances must this be replaced by a standard 13amp UK type plug, as this will cause a safety hazard.
- Do not plug into the mains until your lamp is fully assembled.
- Under no circumstances must this table lamp be covered with any material as this could pose a safety hazard. It must be used on a stable, flat surface.
- This product contains non-replaceable LEDs. If the LEDs become damaged the whole lamp must be replaced.
- The lamp must be protected by a 3 amp fuse in the mains plug.
- If the mains cable becomes damaged it must only be replaced by a technically competent, qualified person.
- If you are in any doubt about your competence please consult a qualified electrician.
- This product contains delicate parts – take care during handling and maintenance to avoid breakage.
- If any modification is made it will invalidate the warranty and may render the product unsafe.

Care Information

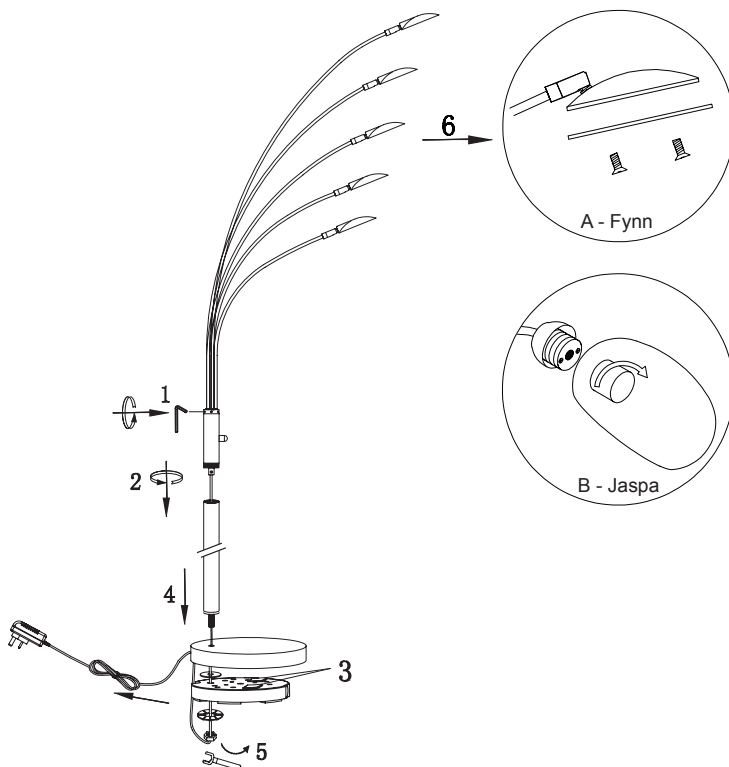
Allow 10 minutes to cool before replacing, adjusting or cleaning.

Clean with a dry cloth only. Do not use liquid or abrasive cleaners on this product.

Assembly/ User Instructions

Before you start

Please read these instructions carefully before fitting and retain for reference. Check the packaging and make sure that you have all the required parts. Follow each assembly step in order to prevent incorrect assembly. Ensure that the product is fully assembled as illustrated before use. **Please note:** this instruction covers 3 and 5-light lamp versions.



These assembly diagrams are intended as a guide – if in doubt consult a qualified electrician.

1. Carefully unpack your lamp, and place on a stable, flat surface.
2. Adjust the arms to the desired position, and fix in place using the hex key (1)
3. Screw the upper section of stem to the lower section (2).
4. Remove the backing from the sticky pads (3). Align the holes and press the weight into the base plate. Slot the stem into the assembled base (4), and gently pull through the cable. Secure the stem into the base with the washer and nut, using the spanner provided (5).
5. Fix the glass diffusers to the lamp heads (6), following the appropriate illustration.
6. Plug in, and operate the dimmer switch to turn your lamp on.

If your lamp will not illuminate, please check the relevant fuse in your fuse box. If unsuccessful please consult your retailer.



- EN Scan QR code for multi-language
- FR Scannez le code QR pour plusieurs langues
- ES Escanee el código QR para varios idiomas
- PL Zeskanuj kod QR dla wielu języków
- DE Scannen Sie den QR-Code nach mehreren Sprachen
- IT Scansiona il codice QR per multilingua

76562_76563_76567_76568_28122021



UK Manufacturer: BH17 7BY
EU Manufacturer: Brilliant AG,
Brilliantstrasse 1, D-27442 Gnarrenburg