


Wall Fitting

INSTRUCTION MANUAL

Safety Warnings

- This product is only suitable for connection to a 220-240V~50Hz supply in accordance with current IEE wiring regulations, and should be installed in accordance with local building regulations. They are for indoor use only, and are **not** suitable for a bathroom location.
- Before installing your light fitting always switch off the mains supply, and remove the appropriate fuse or switch off the appropriate circuit breaker before commencing installation. Ensure that no one else has access that would enable the supply to be inadvertently reconnected.
- This is a Class II, Double Insulated  fitting. It does not require an Earth, and Live or Neutral **must not** be connected to Earth. The terminal blocks are supplied according to requirements of the fitting.
- This product contains non-replaceable LEDs. If the LEDs are damaged, then the unit must be replaced.
- If you are in any doubt about your competence please consult a qualified electrician.
- If any modification is made it will invalidate the warranty and may render the product unsafe.
- Allow 10 minutes to cool before adjusting or cleaning. Clean with a dry cloth only. Do not use liquid or abrasive cleaners on this product.

Assembly/ User Instructions

Before you start

Please read these instructions carefully before fitting and retain for reference. Check the packaging and make sure that you have all the required parts. Follow each assembly step in order to prevent incorrect assembly. Ensure that the product is fully assembled as illustrated before use. This product is dimmable when used with a suitable dimmer switch.

The Light pack contains:

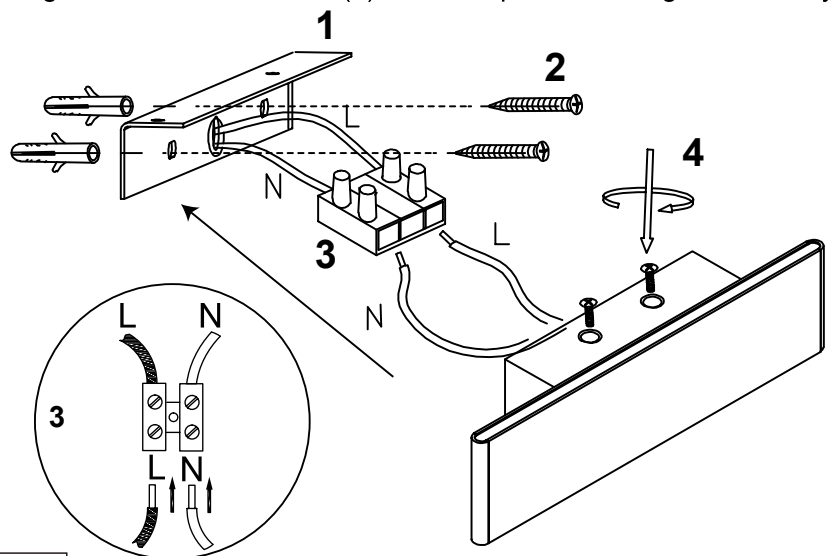
Light fitting.
Terminal connection block(s).
Fixing pack

The following tools may be required:

Selection of cross and flat head screwdrivers.
Electric drill and assorted drill bits.
Wire strippers.
Electrical insulation tape

These assembly diagrams are intended as a guide – if in doubt consult a qualified electrician.

1. Decide on the position of the light fitting, or remove existing light fitting. Take a note of the position of the electrical connections. Ensure there is a solid mounting surface, preferably a wooden joist or joist bridge to support the weight of the light fitting.
2. Remove the two top screws (4) and for re-use. Use the fixing bracket (1) as a template to mark the screw holes, and secure to the wall with appropriate screw fixings (2), making sure the bracket is correctly aligned.
3. Support your fitting and connect the house wiring to the terminal block (3) – see expanded wiring details. Any loose terminal blocks – not secured to wall back – should always be covered with at least 2 layers of good quality insulation tape such that it is covered to at least 8mm on each side.
4. Secure the wall back over the bracket by using the screws (4) removed in Point 2.
5. Turn on the power and test.



- EN Scan QR code for multi-language
- FR Scannez le code QR pour plusieurs langues
- ES Escanee el código QR para varios idiomas
- PL Zeskanuj kod QR dla wielu języków
- DE Scannen Sie den QR-Code nach mehreren Sprachen
- IT Scansiona il codice QR per multilingua

70118_70119-31122021



UK Manufacturer: BH17 7BY
EU Manufacturer: Brilliant AG,
Brillantstrasse 1, D-27442 Gnarrenburg